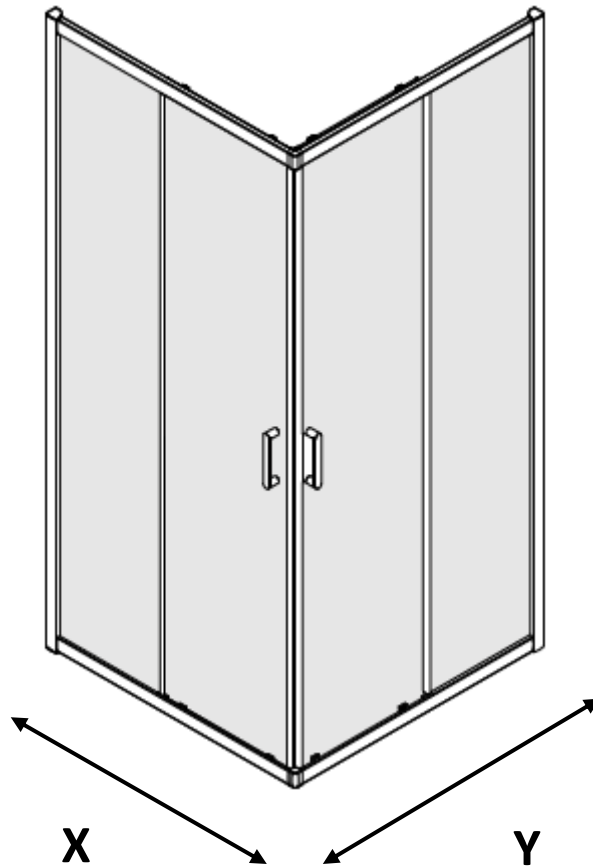
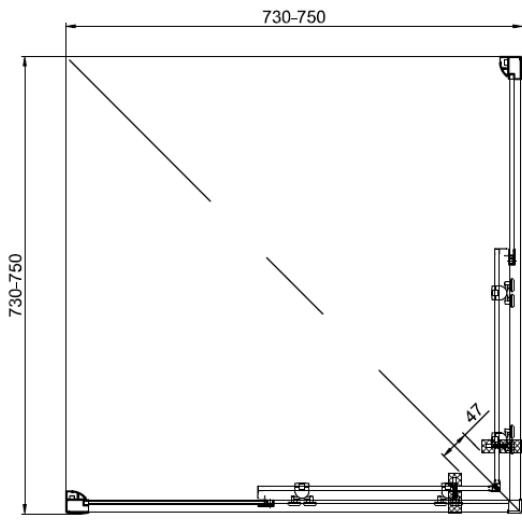


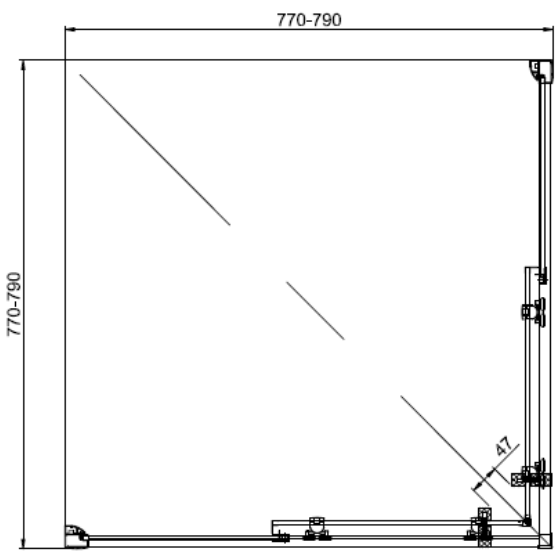
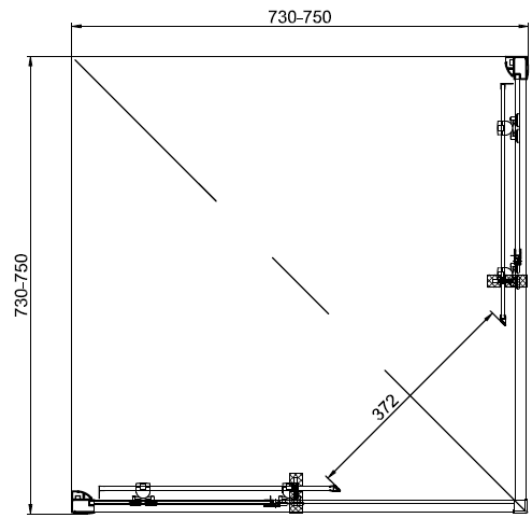
KAI 6  
CORNER ENTRY



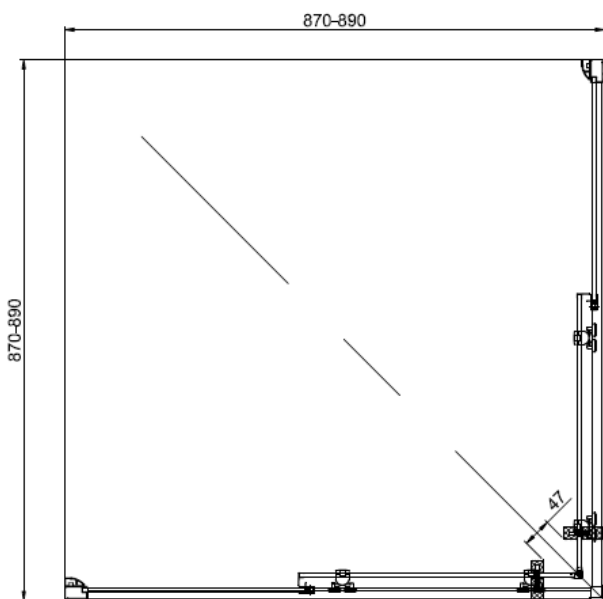
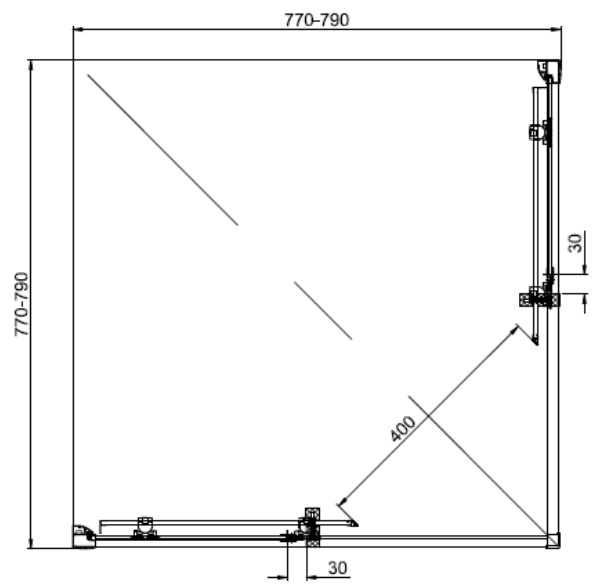
Code	Door Type	Door Height mm	Adjustment in alcove (mm) X	Side adjustment (mm) Y
KLCESC0760	Corner Entry 760	1900	730-750	730-750
KLCESC0800	Corner Entry 800	1900	770-790	770-790
KLCESC0900	Corner Entry 900	1900	70-890	70-890



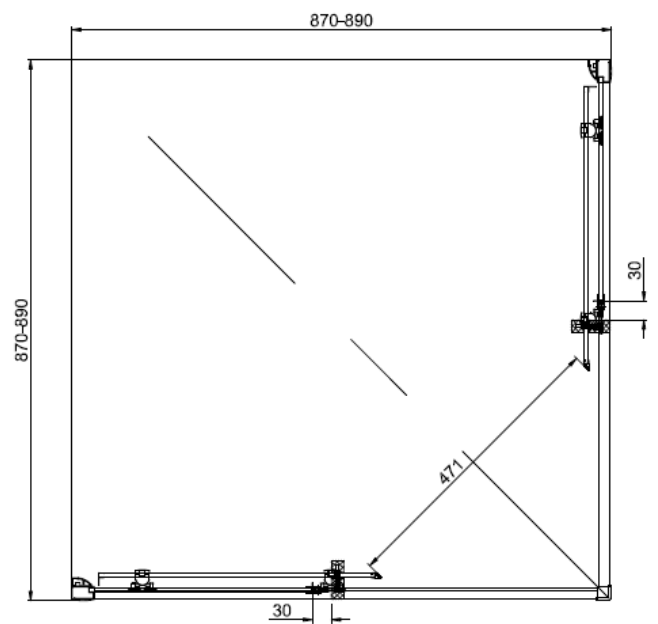
CODE KLCESC0760

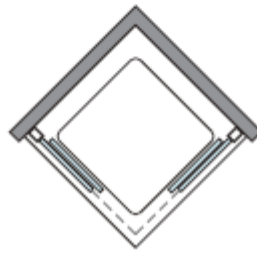
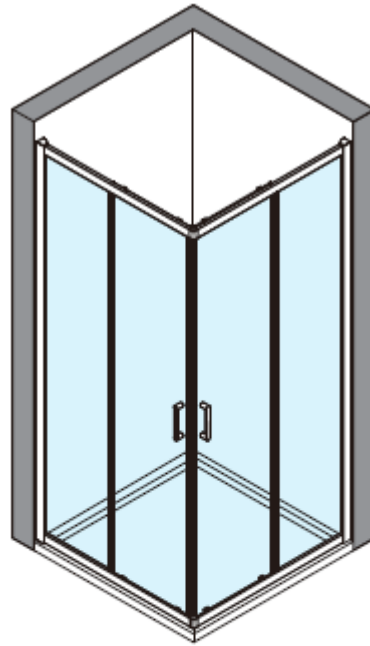


CODE KLCESC0800



CODE KLCESC0900





A		Cap for wall profile x2
B		Cap for adjusting profile x2
C		Wall plug x8
D		Wall profile x2
E		Cover strip x2
F		ST4*30 x8
G		ST4*8 x6

H		Fixed panel bottom seal x4
I		Top/bottom rail x4
J		Bottom roller x4
K		Corner bracket x2
L		Handle x2
M		Magnetic seal(SET) x1
N		Top roller x4

O		Screw cap x4
P		Fixed glass clip cap x4
Q		Corner bracket screw (ST 4*8) x4
R		Screw clip x4
S		Long upright seal x2
T		Short upright seal x2